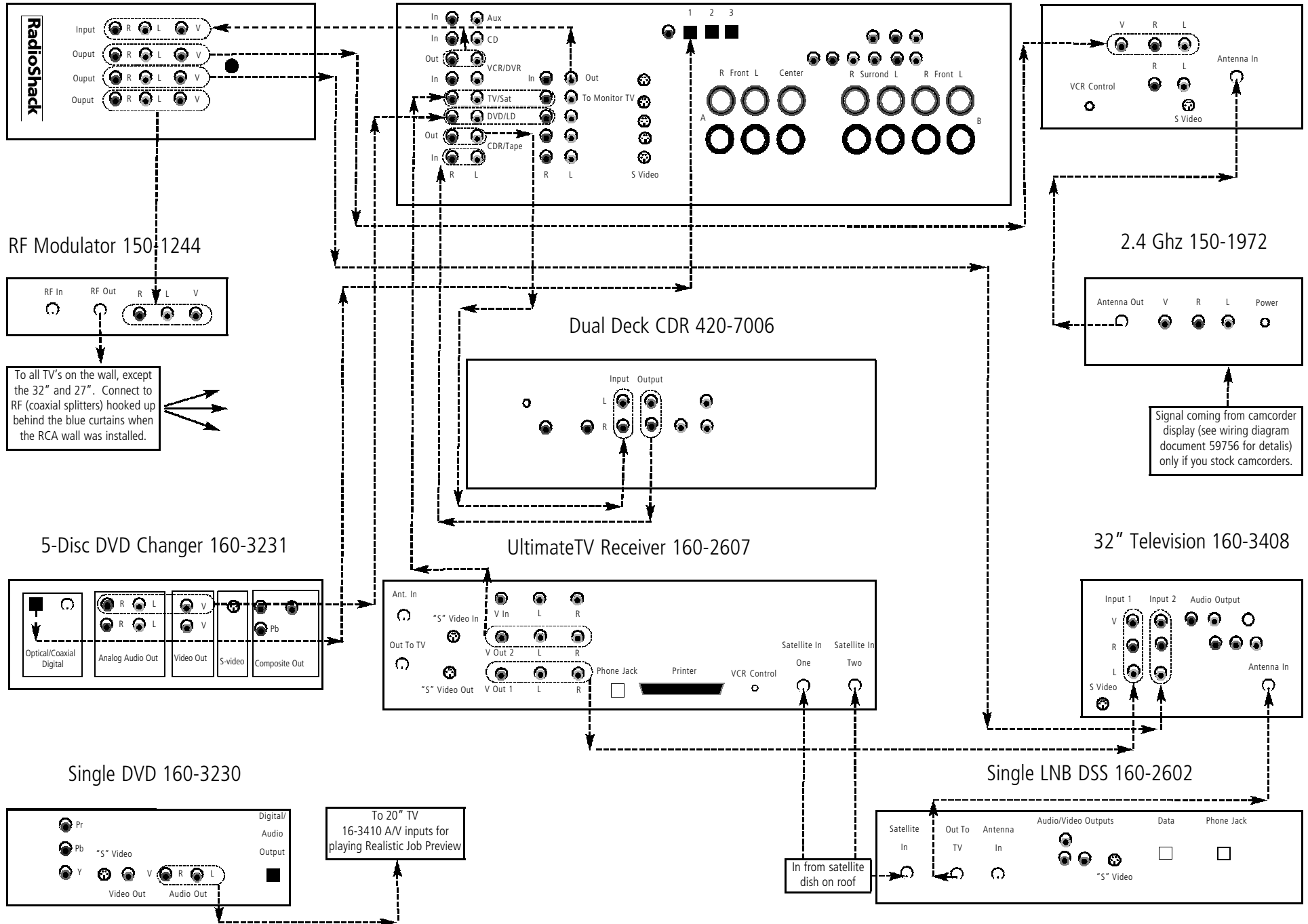


# 18, 16, 14, 10 Foot Home Theater Wiring Diagram

A/V Distribution Amp 150-1103/1172

RCA Audio Video Receiver 310-5012

27" Television 160-3409

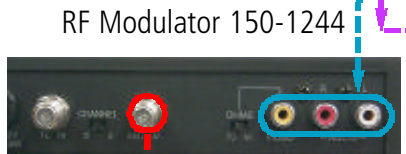
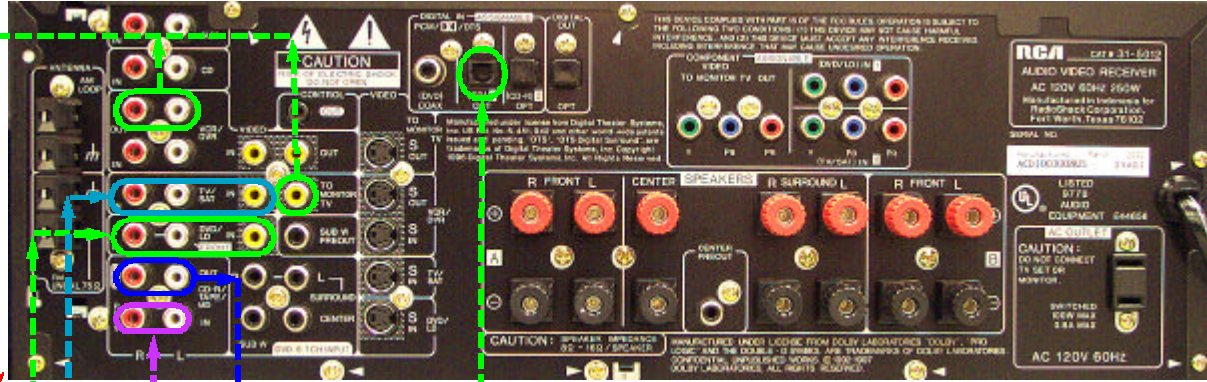
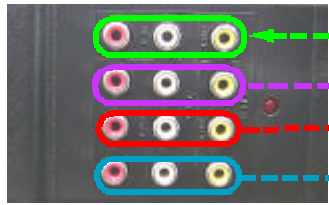


# 18, 16, 14, 10 Foot Home Theater Wiring Diagram

A/V Distrib Amp 150-1103/1172

RCA Audio Video Receiver 310-5012

27" TV 160-3409



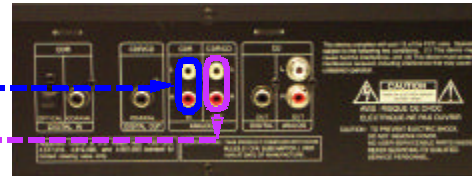
RF Modulator 150-1244

To all TV's on the wall, except the 32" and 27". Connect to RF (coaxial splitters) hooked up behind the blue curtains when the RCA wall was installed.

5-Disc DVD Changer 160-3231



Dual Deck CDR 420-7006



UltimateTV Receiver 160-2607



2.4 GHz 150-1972

Signal coming from camcorder display (see wiring diagram document 59756 for details) only if you stock camcorders.

32" TV 160-3408



Single DVD 160-3230



To 20" TV 160-3410 A/V inputs for playing Realistic Job Preview

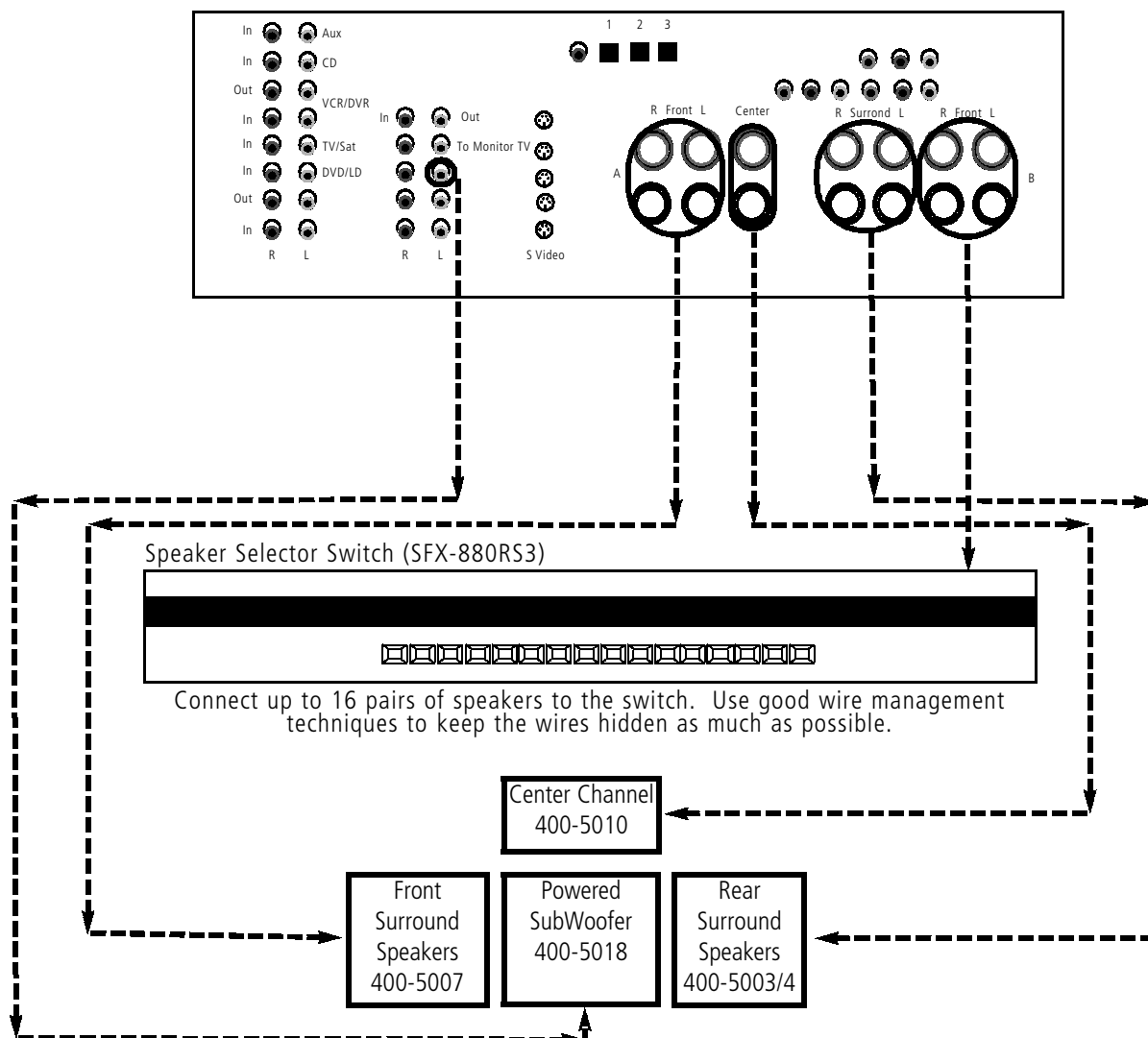
In from satellite dish on roof

Single LNB Satellite Receiver 160-2602



# Speaker Selector Switch / Audio Wiring Diagram

RCA Audio Video Receiver 310-5012

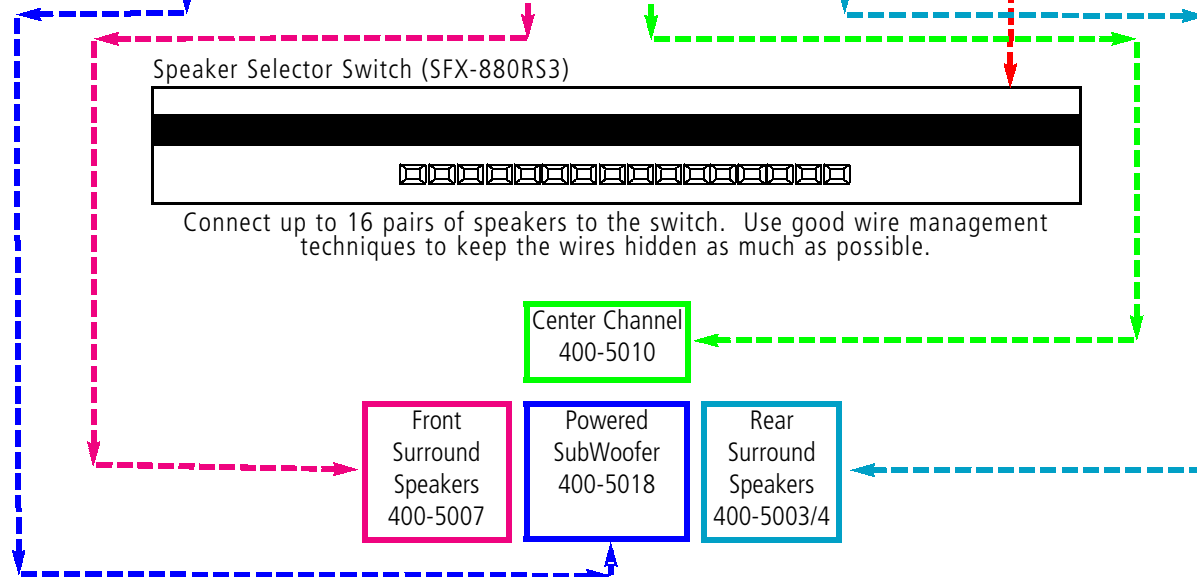
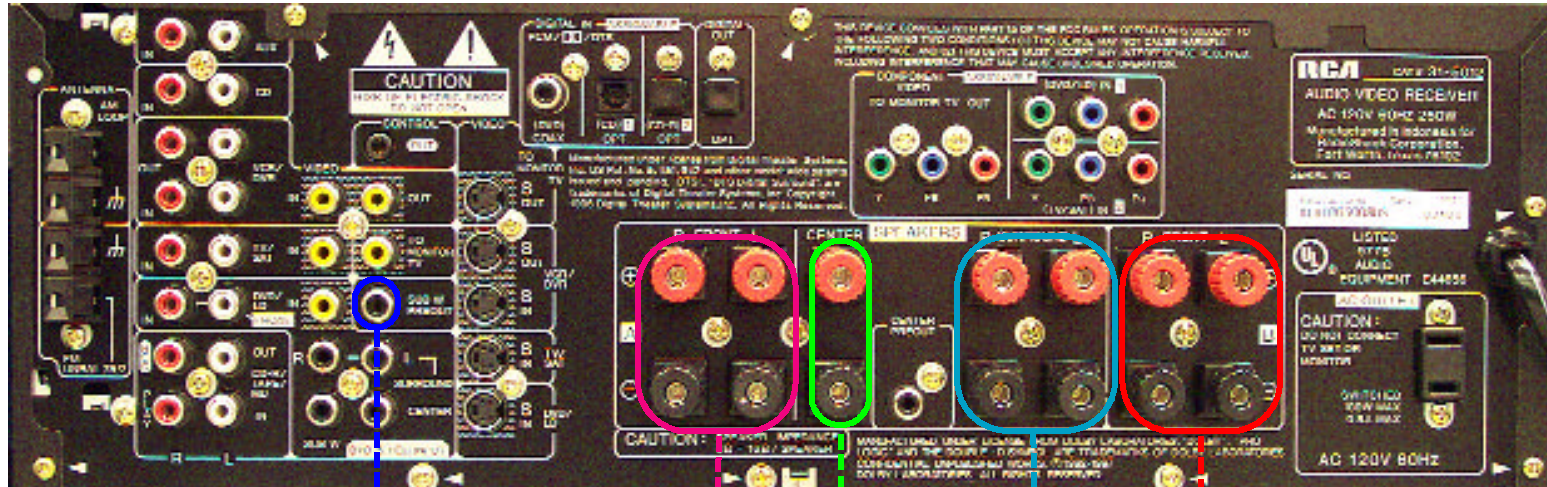


## Important Notes For All Wiring Diagrams:

1. Follow the arrows and lines very carefully from their start to their finish.
2. Be sure to have at least one RF cable always ready to hook up at least one sale mini television.

# Speaker Selector Switch / Audio Wiring Diagram

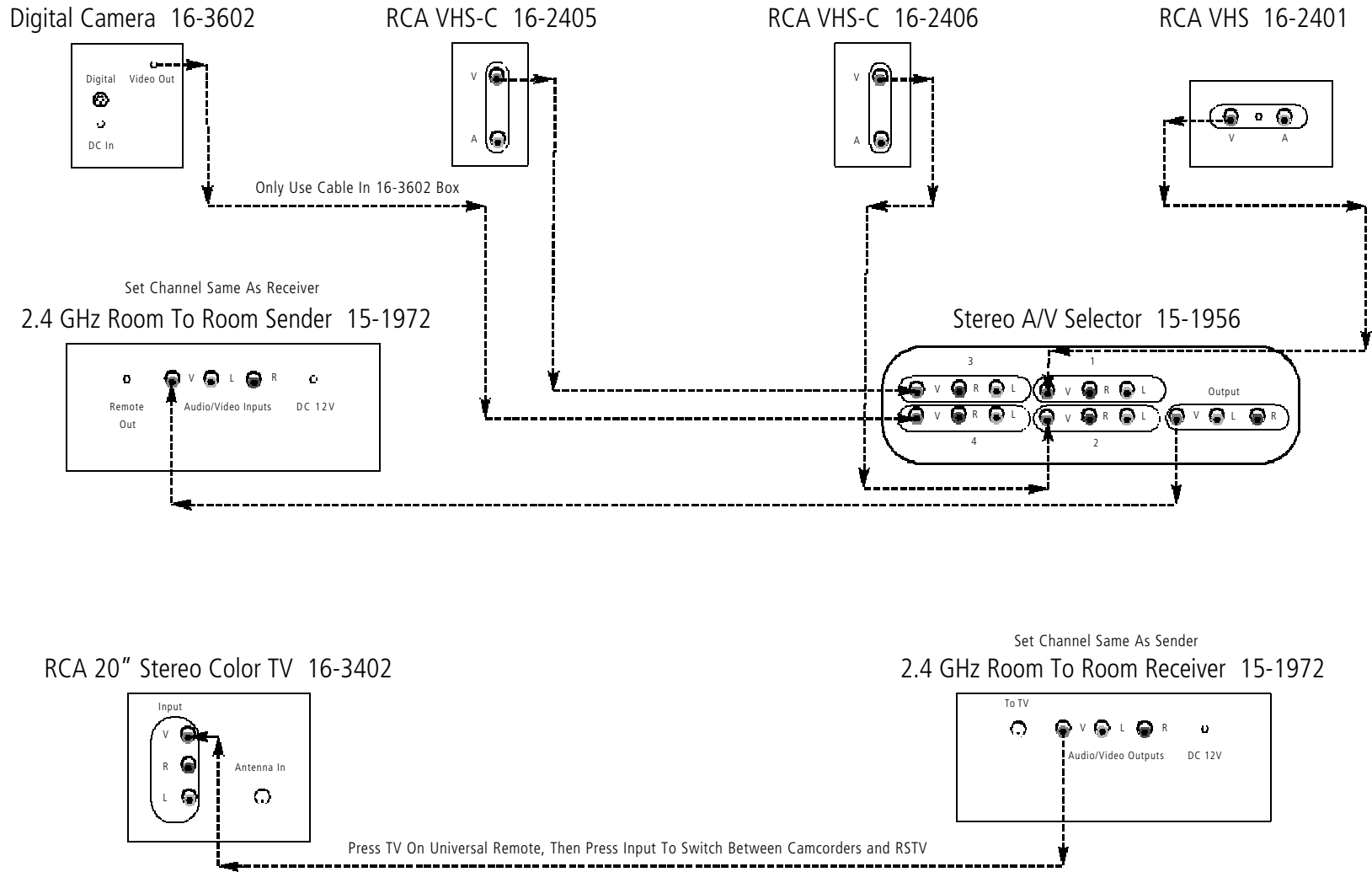
RCA Audio Video Receiver 310-5012



## Important Notes For All Wiring Diagrams:

1. Follow the arrows and lines very carefully from their start to their finish.
2. Be sure to have at least one RF cable always ready to hook up at least one sale mini television.

# Camcorder Wiring Diagram



Note: Wire Manage Cords Between Camcorders, Selector Switch, And Room To Room Sender

# Wiring Diagram for Camcorder Display

16-2401



16-2405



16-2406



16-3600



Use the video cable that comes with the 16-3600



Use proper cable management where the cables exit the fixture.

Sent to 15-1972 receiver unit connected to the VID input on 16-3402 20" TV



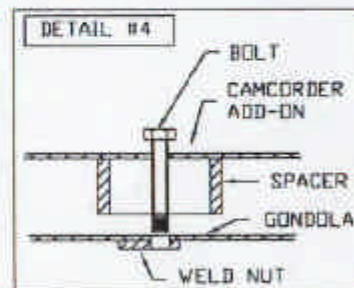
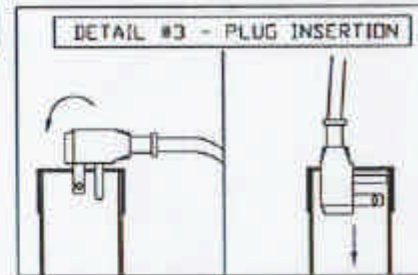
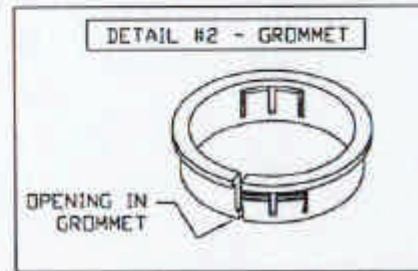
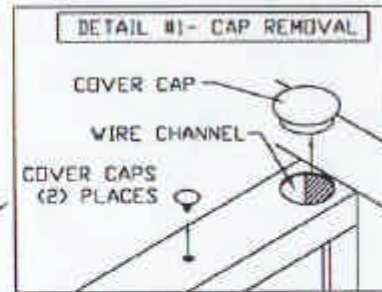
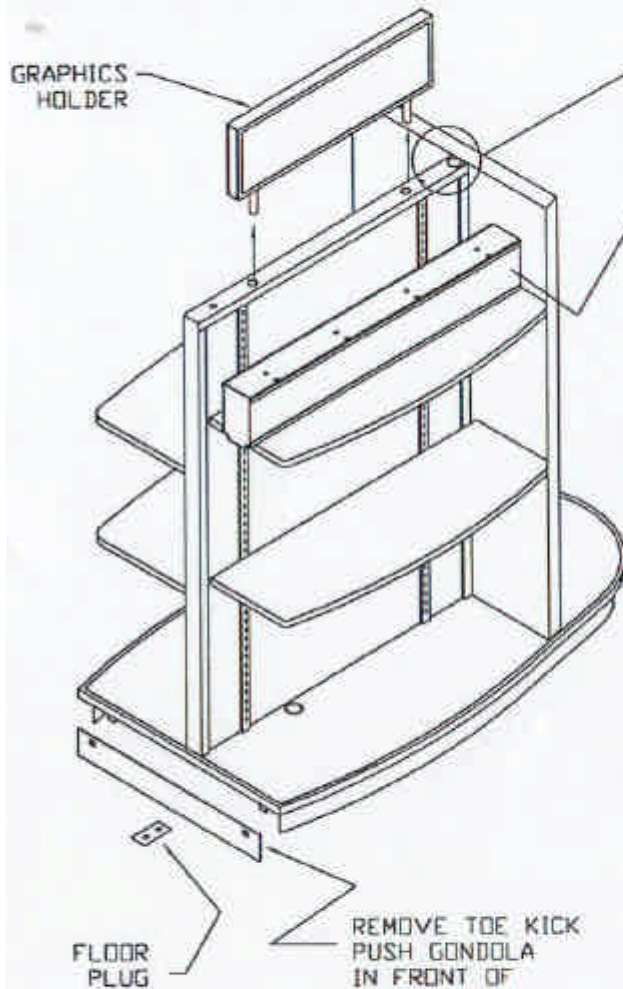
15-1972



15-1956

THE RCA209 CAMCORDER ADD-ON PACKAGE INCLUDES ONE EACH OF THE FOLLOWING:

- RCA155 CAMCORDER ADD-ON
- RCA024 POWER STRIP WITH 8FT CORD
- RCA026 SIGN PACKAGE

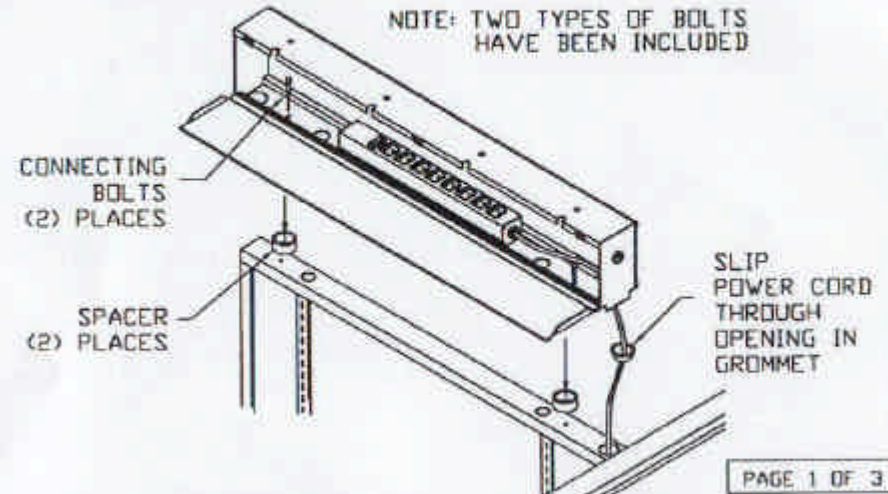


## RCA209 INSTALLATIONS INSTRUCTIONS

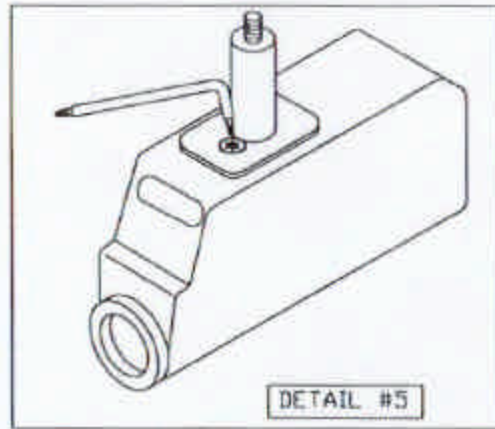
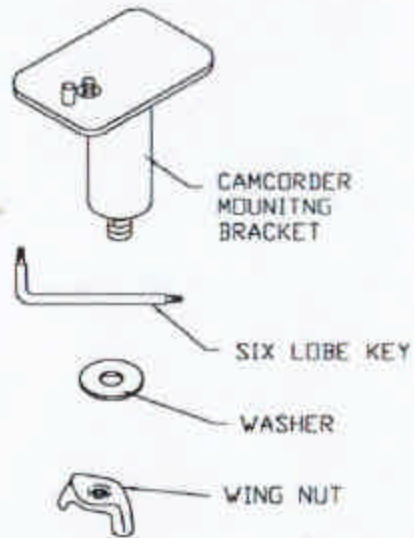
NOTE: UNIT IS SHIPPED UNLOCKED. THE KEYS ARE INSIDE WITH THE HARDWARE. IF THE UNIT IS LOCKED ON ARRIVAL, THE KEYS FOR THE SPRINT FIXTURE WILL ALSO UNLOCK THIS LOCK. KEEP THESE KEYS WITH SPRINT KEYS.

1. REMOVE GRAPHICS HOLDER, WIRE CHANNEL COVER & SCREW COVER CAPS. STORE IN STOCK ROOM FOR FUTURE USE. (DETAIL #1)
2. UNPACK RCA209 CAMCORDER ADD-ON. SET ON GONDOLA SHELF.
3. UNWRAP HARDWARE & SET ASIDE.
4. UNWRAP POWER STRIP & STRAIGHTEN CORD, AS MUCH AS POSSIBLE.
5. LAY ADD-ON UNIT ON ITS SIDE AND FEED POWER CORD THROUGH LARGE HOLE.
6. SLIP POWER CORD THROUGH OPENING IN GROMMET. (SEE DETAIL #2)
7. TILT PLUG & INSERT PRONGS INTO CHANNEL IN TOP OF GONDOLA. TURN CORD UPRIGHT & SHAKE UNTIL PLUG CLEARS THE OPENING. NOTE: THIS IS A TIGHT FIT. (SEE DETAIL #3)
8. AFTER PLUG END CLEARS BOTTOM OF GONDOLA, INSERT GROMMET INTO WIRE CHANNEL. (ROTATE CORD IF PLUG GETS STUCK).
9. PLACE PVC SPACERS OVER THREADED HOLES IN GONDOLA TOP. POSITION ADD-ON UNIT OVER SPACERS & ATTACH WITH CONNECTING BOLTS. (SEE DETAIL #4)

NOTE: TWO TYPES OF BOLTS HAVE BEEN INCLUDED

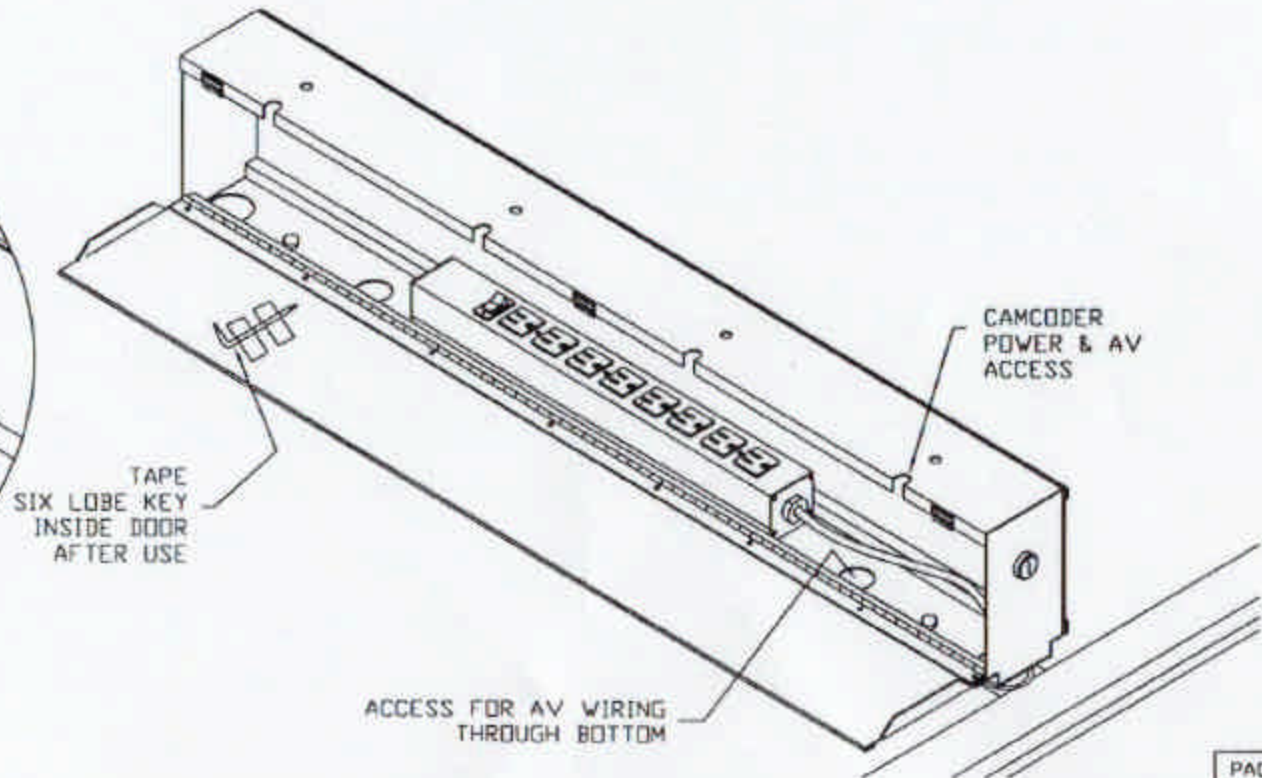
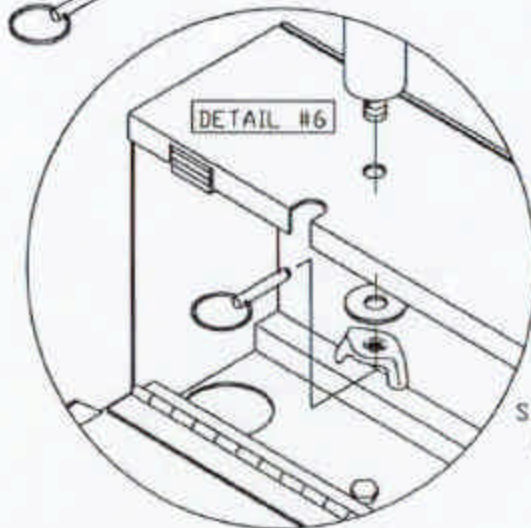


TANDY CABINETS  
CUSTOMER SERVICE  
1-800-266-2282  
FAX (817) 415-1755



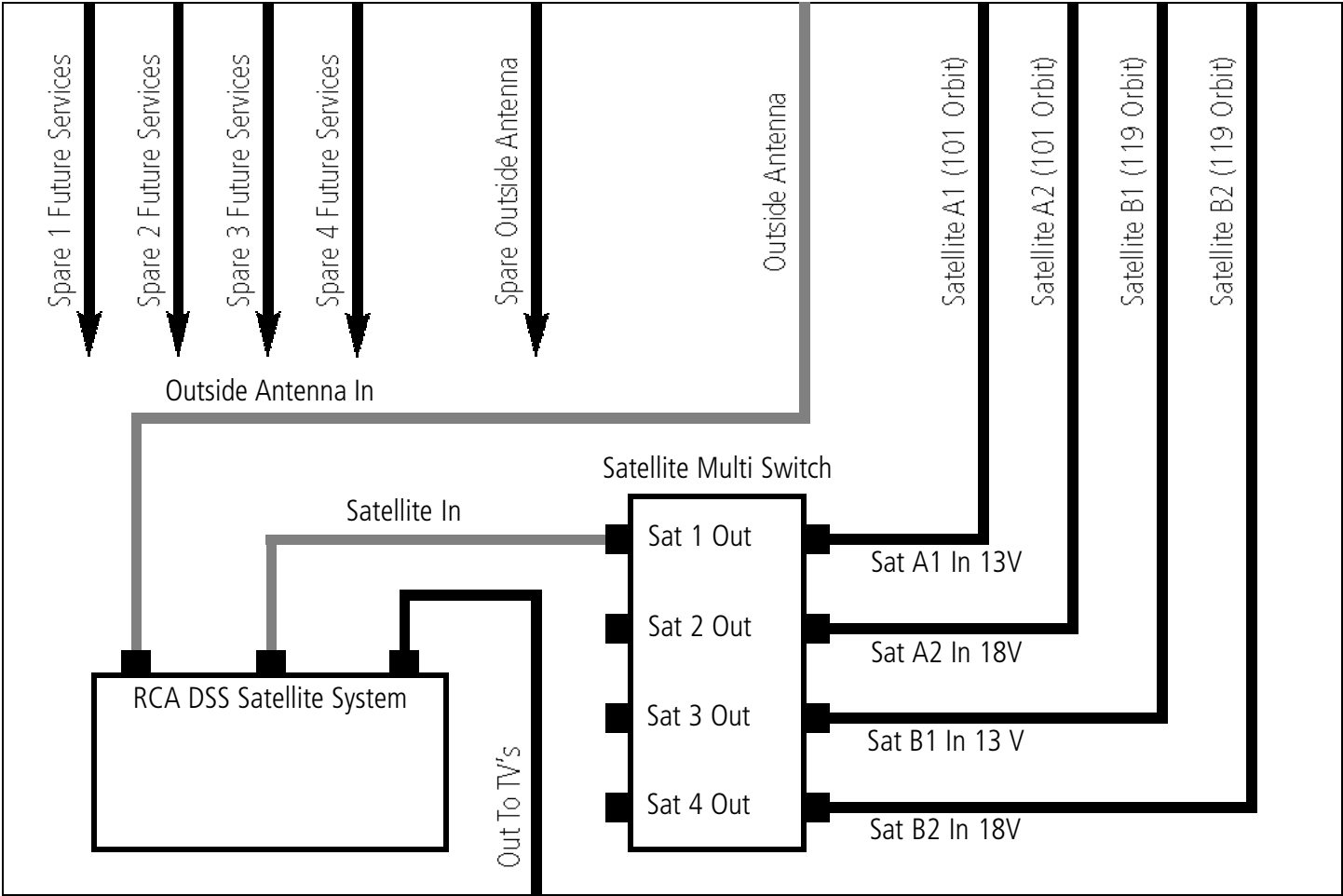
## RCA209 INSTALLATIONS INSTRUCTIONS CONT.

10. TURN OVER CAMCORDER TO BE USED FOR DISPLAY. POSITION BRACKET IN PLACE AND CAREFULLY START SCREW IN THREADED HOLE. USE SIX LOBE KEY TO TIGHTEN SCREW DOWN. (SEE DETAIL #5)
11. INSERT THREADED POST OF BRACKET INTO TOP OF UNIT.
12. SLIDE WASHER ON POST AND SCREW ON WING NUT.
13. INSERT SECURITY PIN INTO HOLE IN POST. (SEE DETAIL #6)
14. BRACKET SHOULD ROTATE EASILY.
15. SEE WIRING DIAGRAM FOR CAMCORDER PLACEMENT OR CALL FAXBACK @ 1-800-323-6586 TO ORDER DOCUMENT #41528



TANDY CABINETS  
 CUSTOMER SERVICE  
 1-800-266-2202  
 FAX (817) 415-1755





# RCA Electrical & RF Video Distribution Diagram

Store Display

